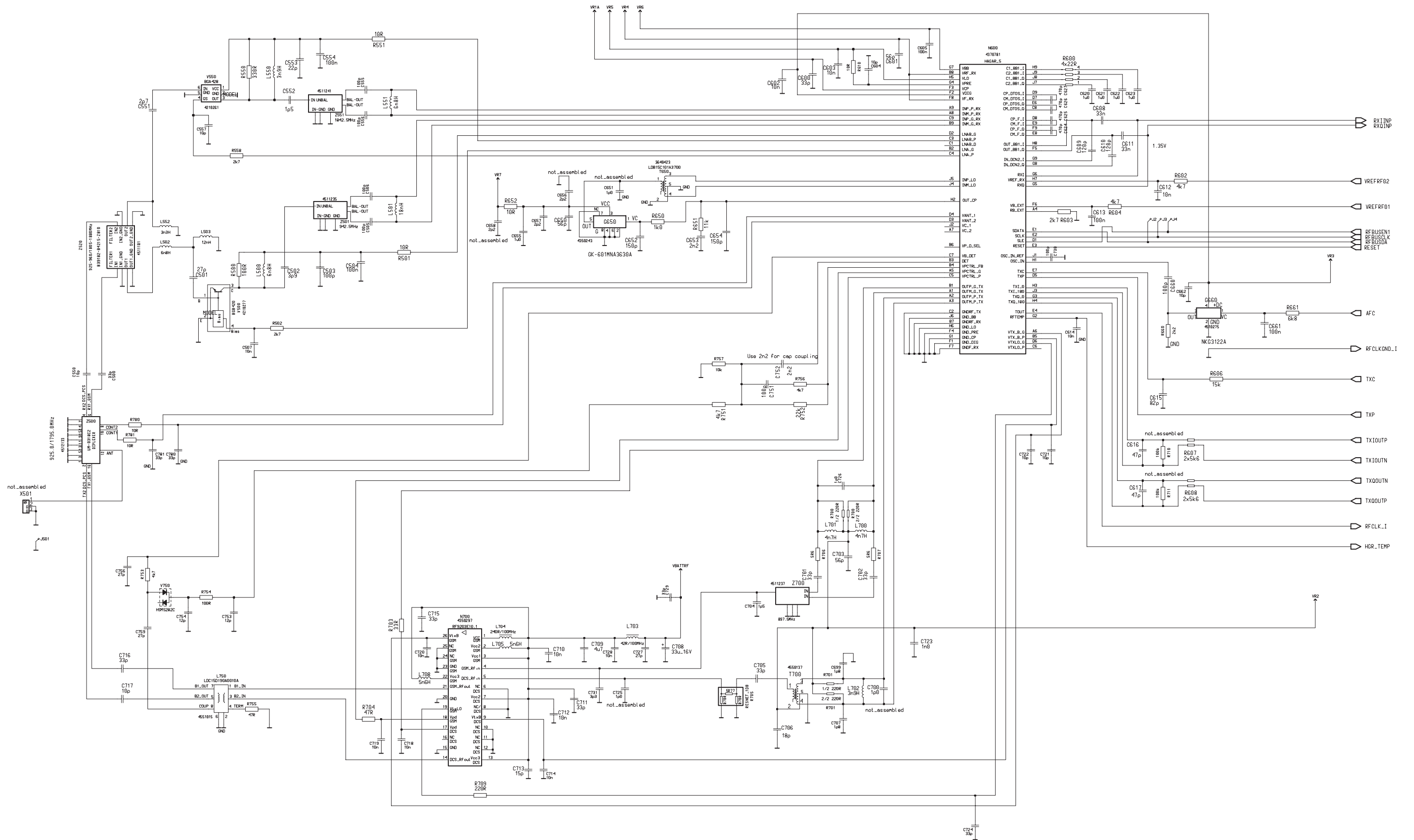
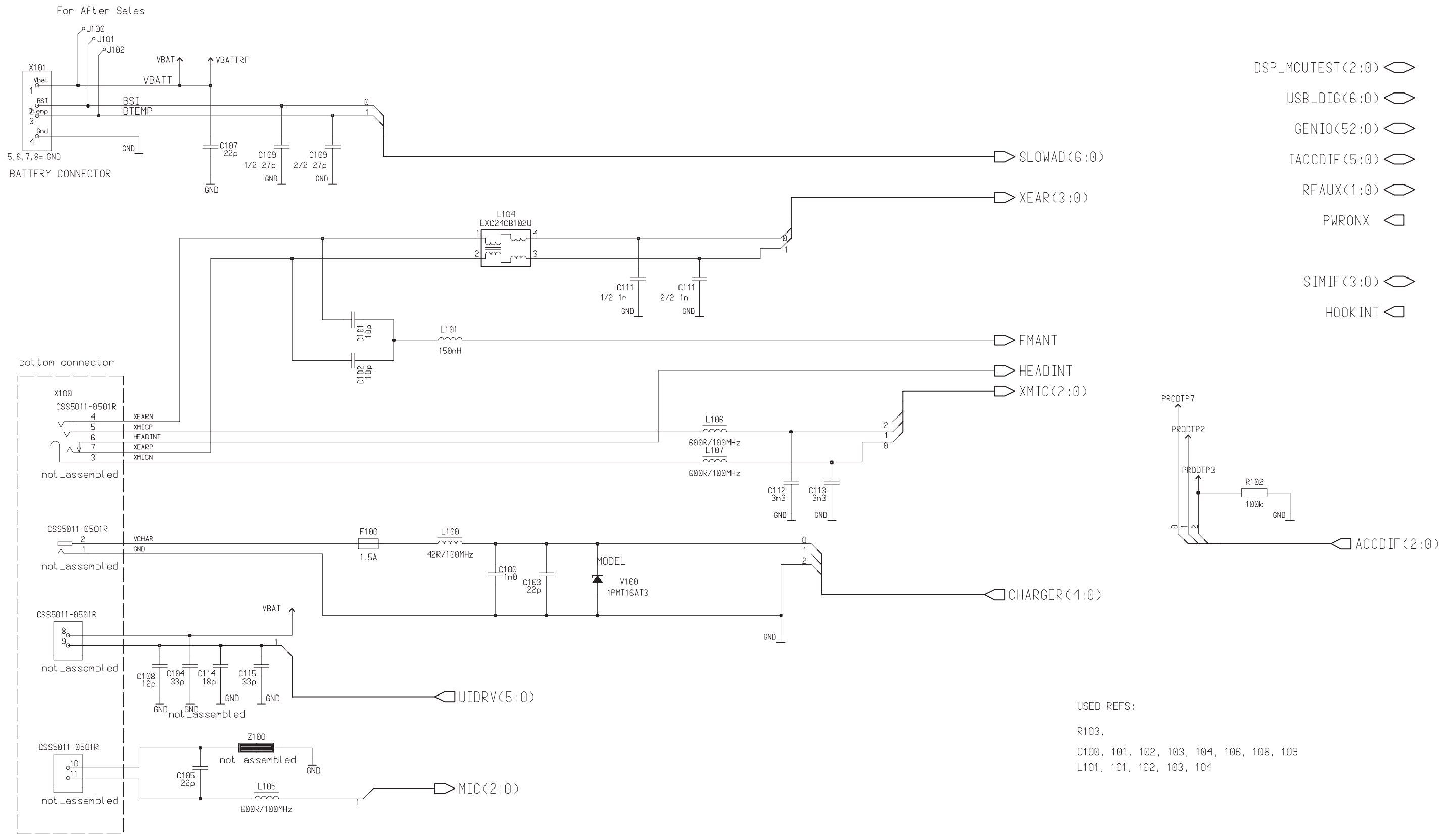


RF (Version 1.0 Edit 180) for layout version 17

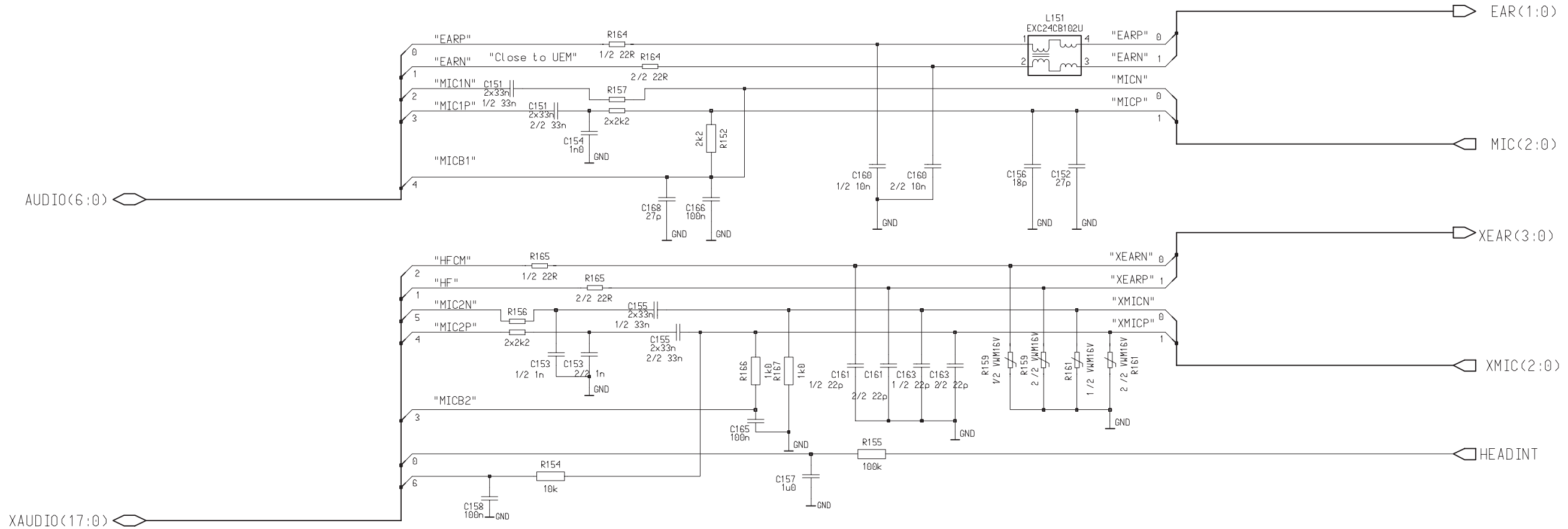


System Connector (Version 1.3 Edit 162) for layout version 17



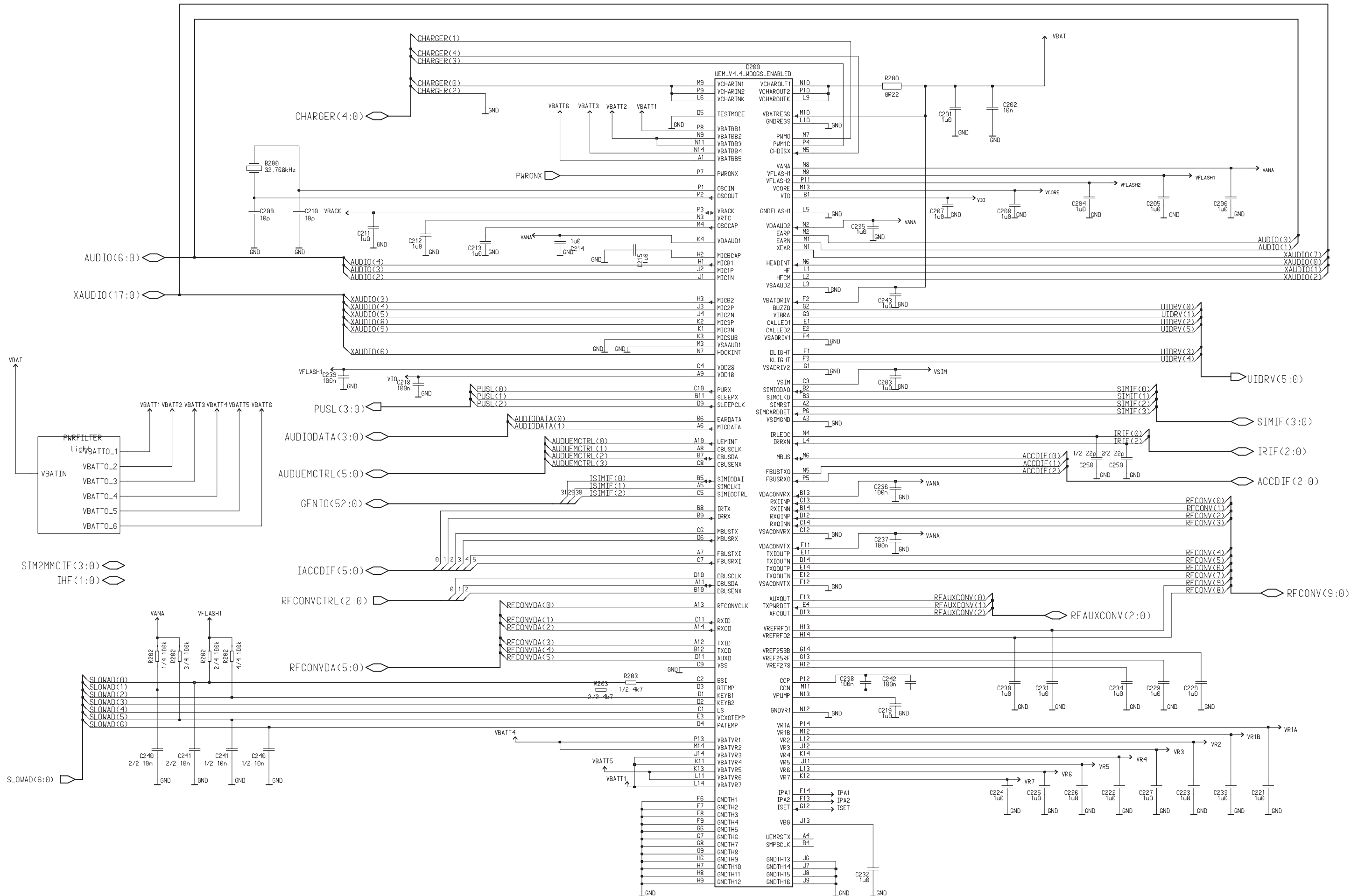
Audio Interface (Version 1.3 Edit 80) for layout version 17

- ◊ SLOWAD(6:0)
- ◊ GENIO(52:0)
- ◊ PUSL(3:0)
- ◊ UIDRV(5:0)
- ◊ HOOKINT
- ◊ IHF(1:0)
- ◊ AUDUEMCTRL(5:0)

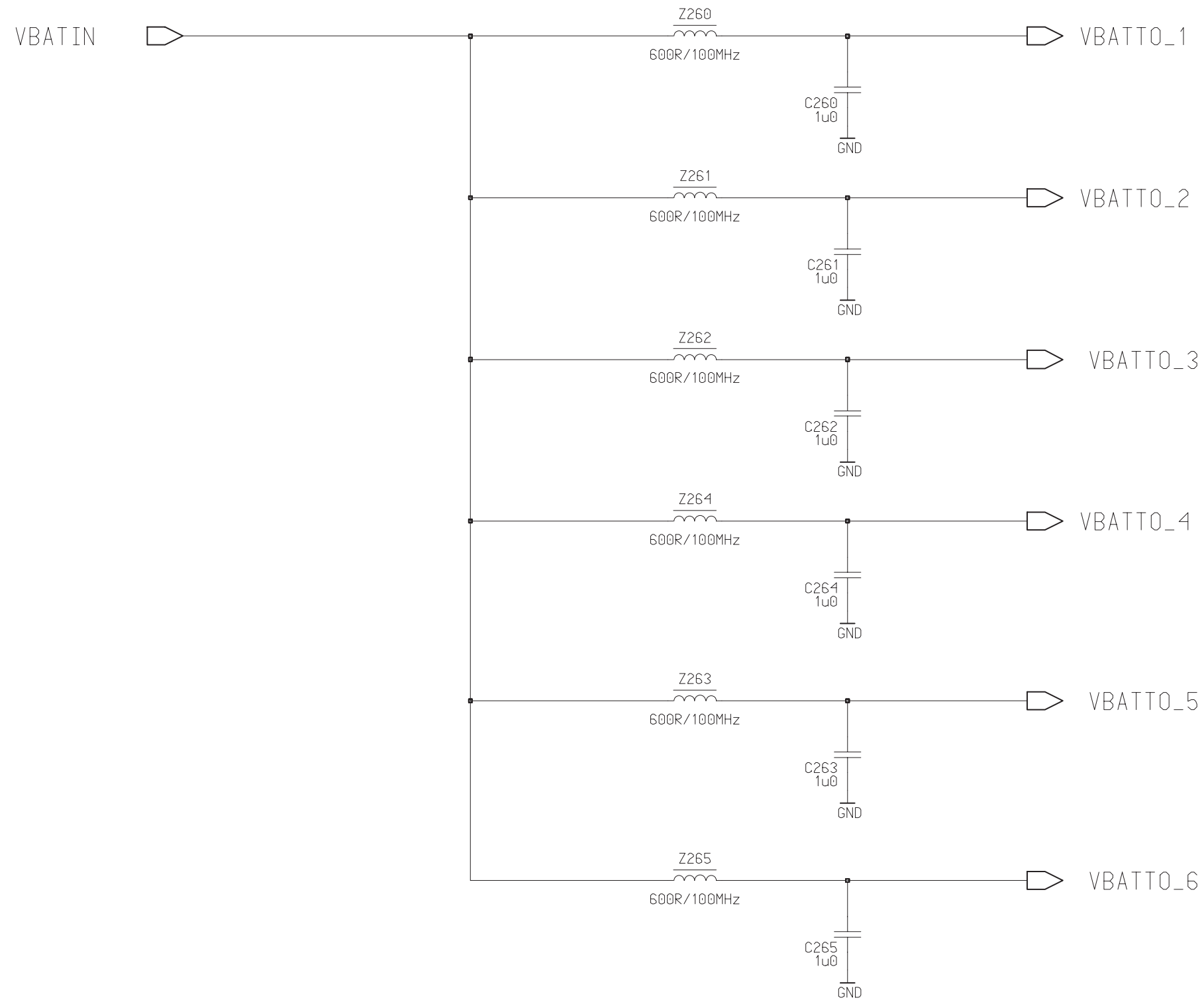


Used Refs: C151-C153, C155- 166
R151, 153-R160, 162, 163
Z151-Z152

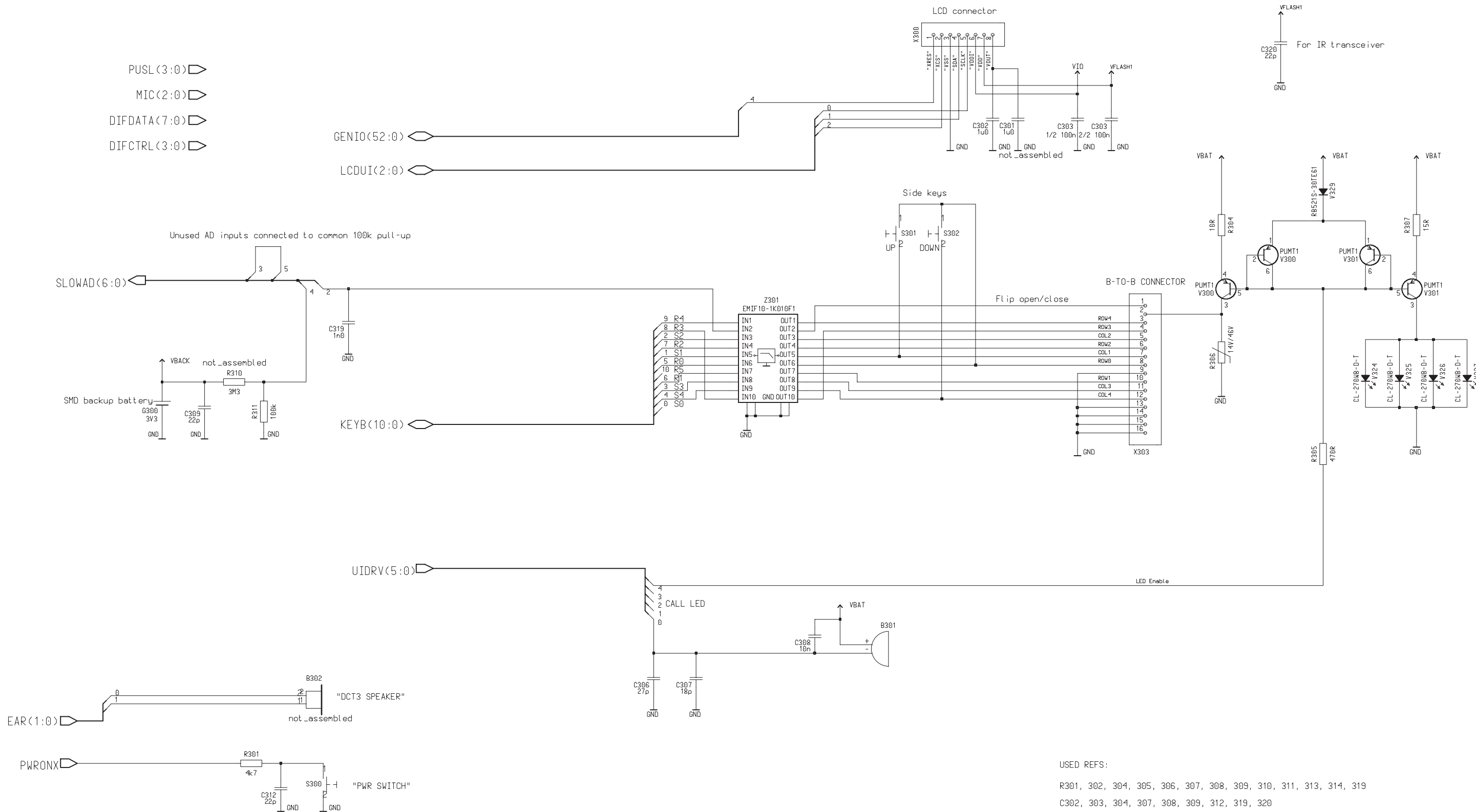
UEM of BB (Version 2.0 Edit 168) for layout version 17



Light Filtering (Version 2.0 Edit 34) for layout version 17

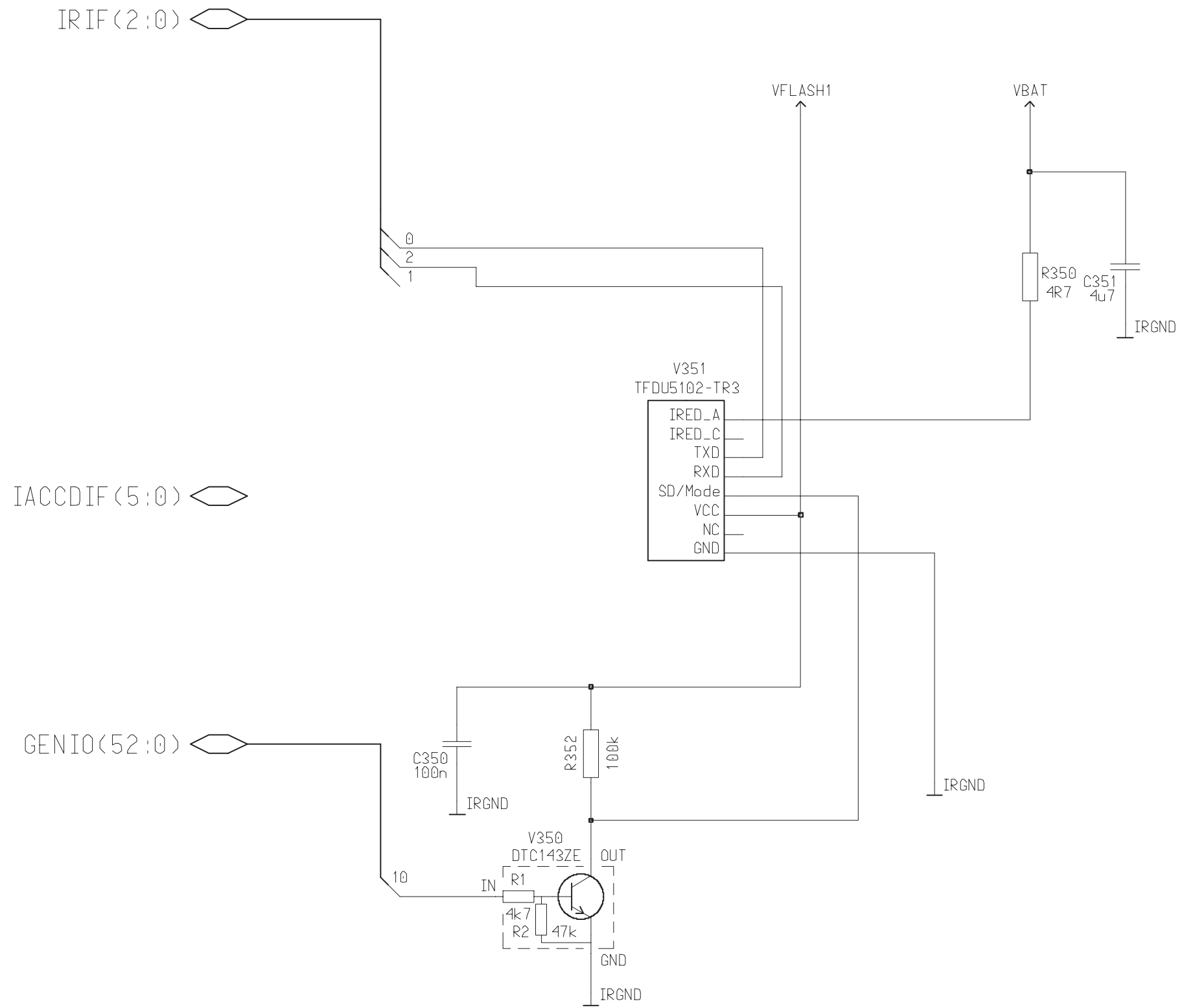


Display and Keyboard Interface (Version 1.3 Edit 210) for layout version 17

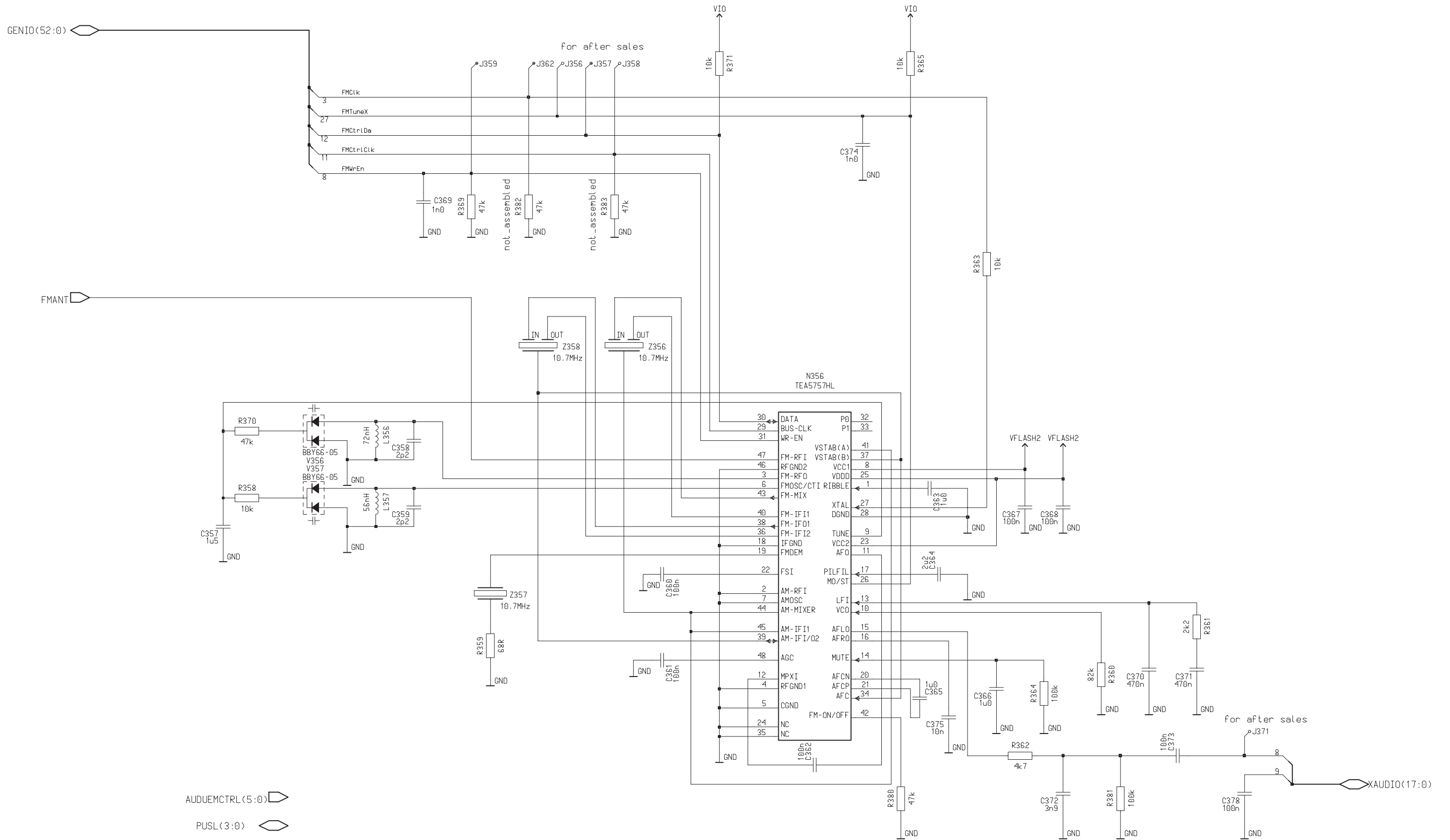


USED REFS:
R301, 302, 304, 305, 306, 307, 308, 309, 310, 311, 313, 314, 319
C302, 303, 304, 307, 308, 309, 312, 319, 320

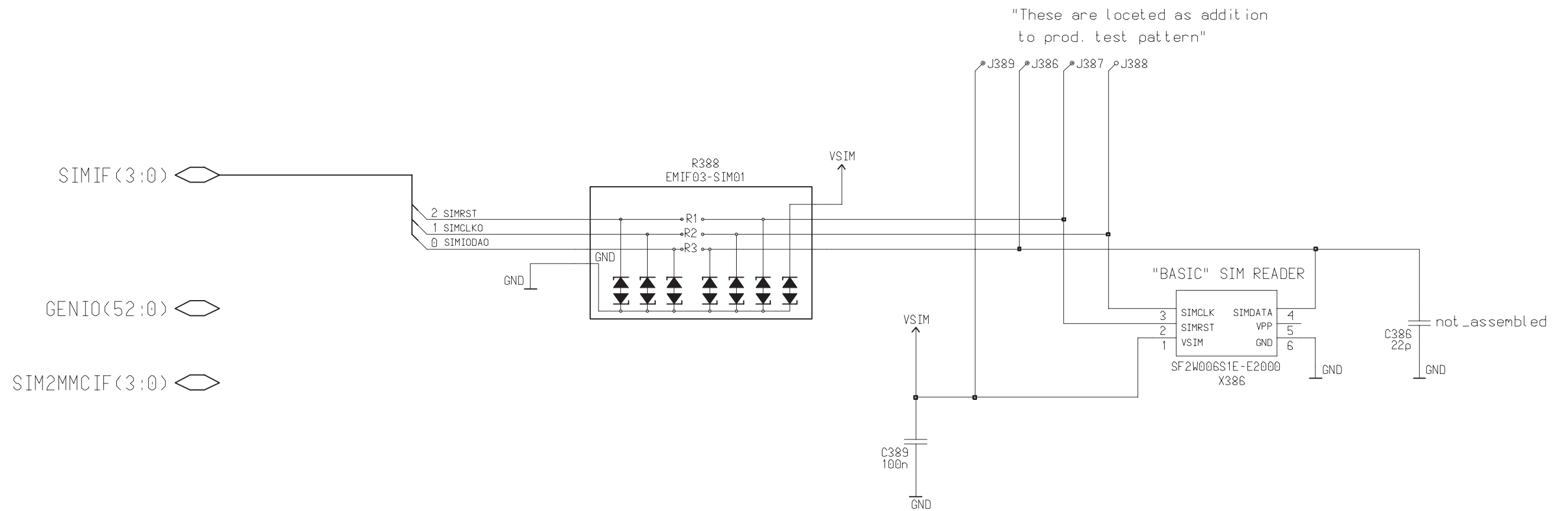
Infrared Module (Version 2.0 Edit 38) for layout version 17



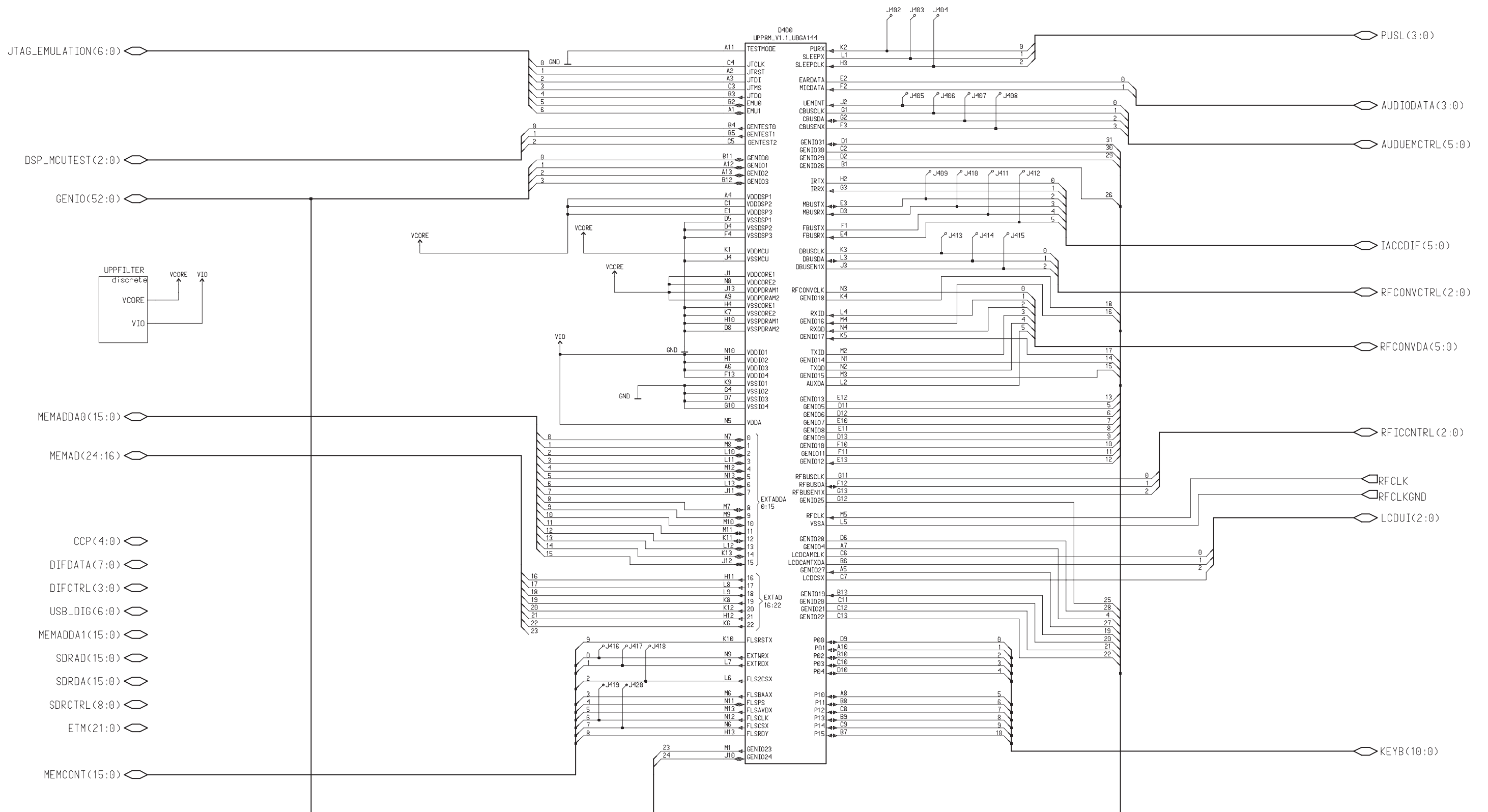
FM Radio (Version 1.3 Edit 110) for layout version 17



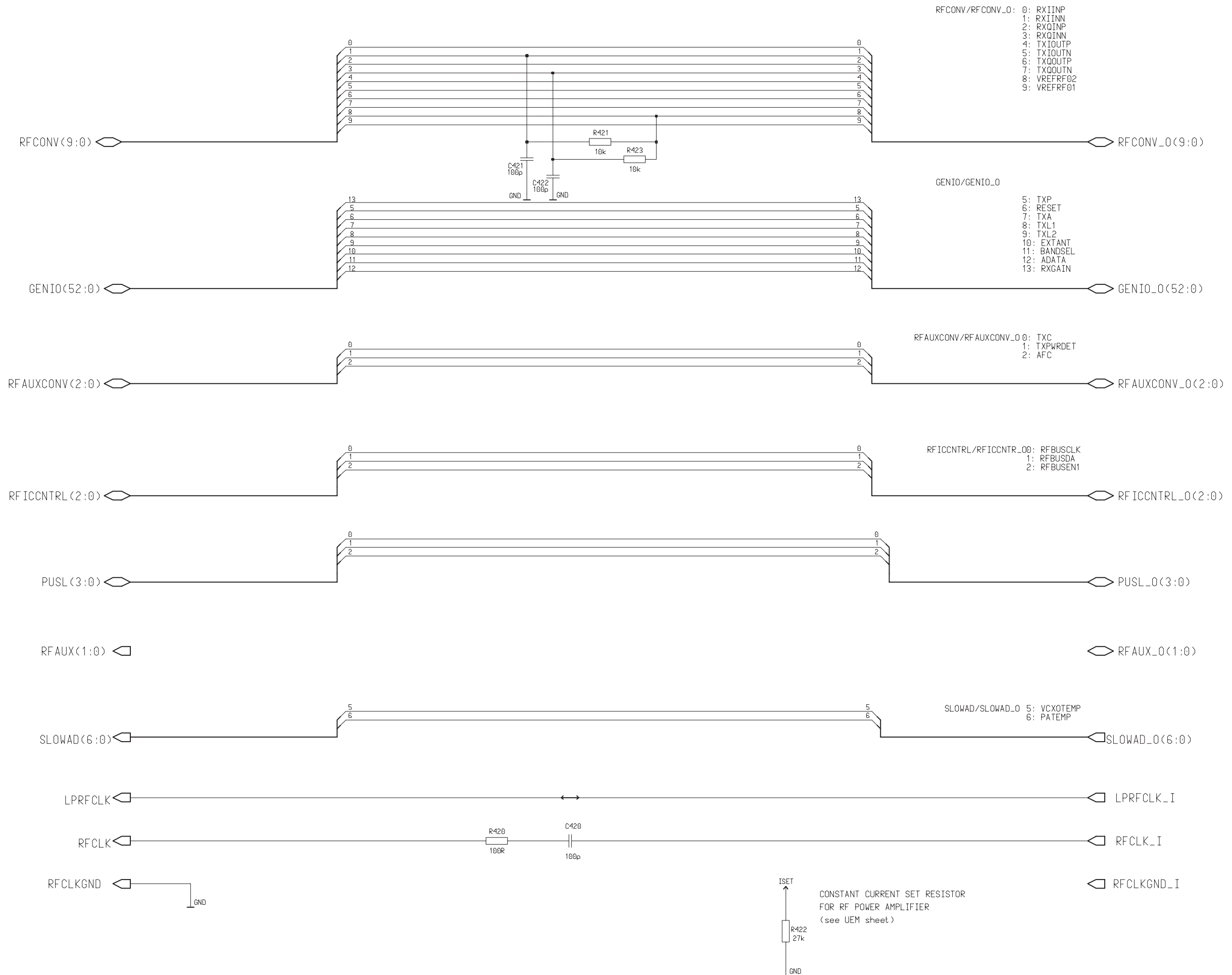
SIM Reader (Version 1.3 Edit 48) for layout version 17



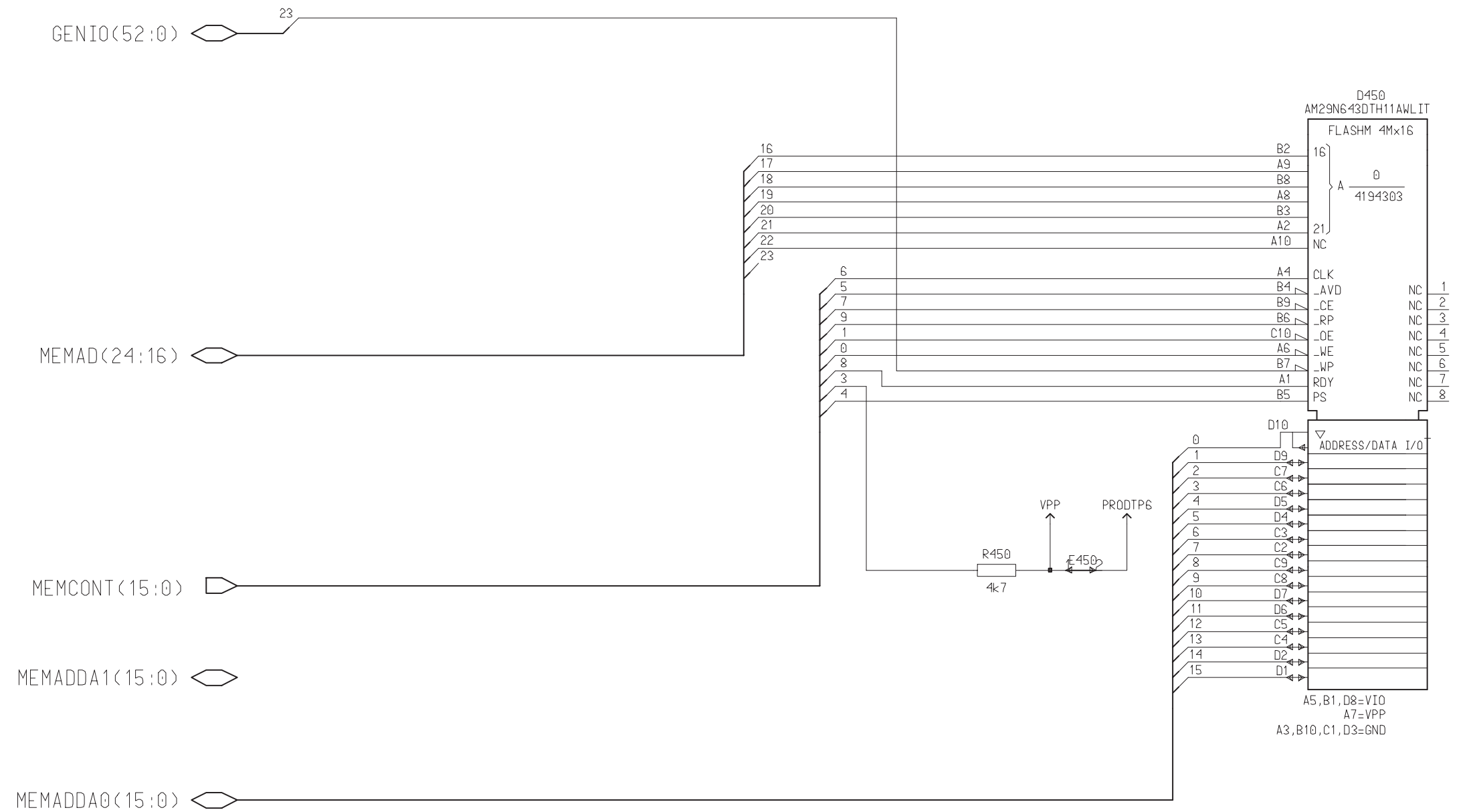
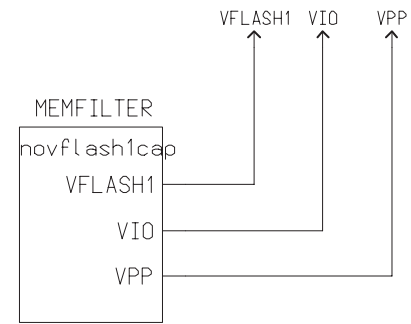
UPP and decoupling capacitors (Version 2.0 Edit 91) for layout version 17



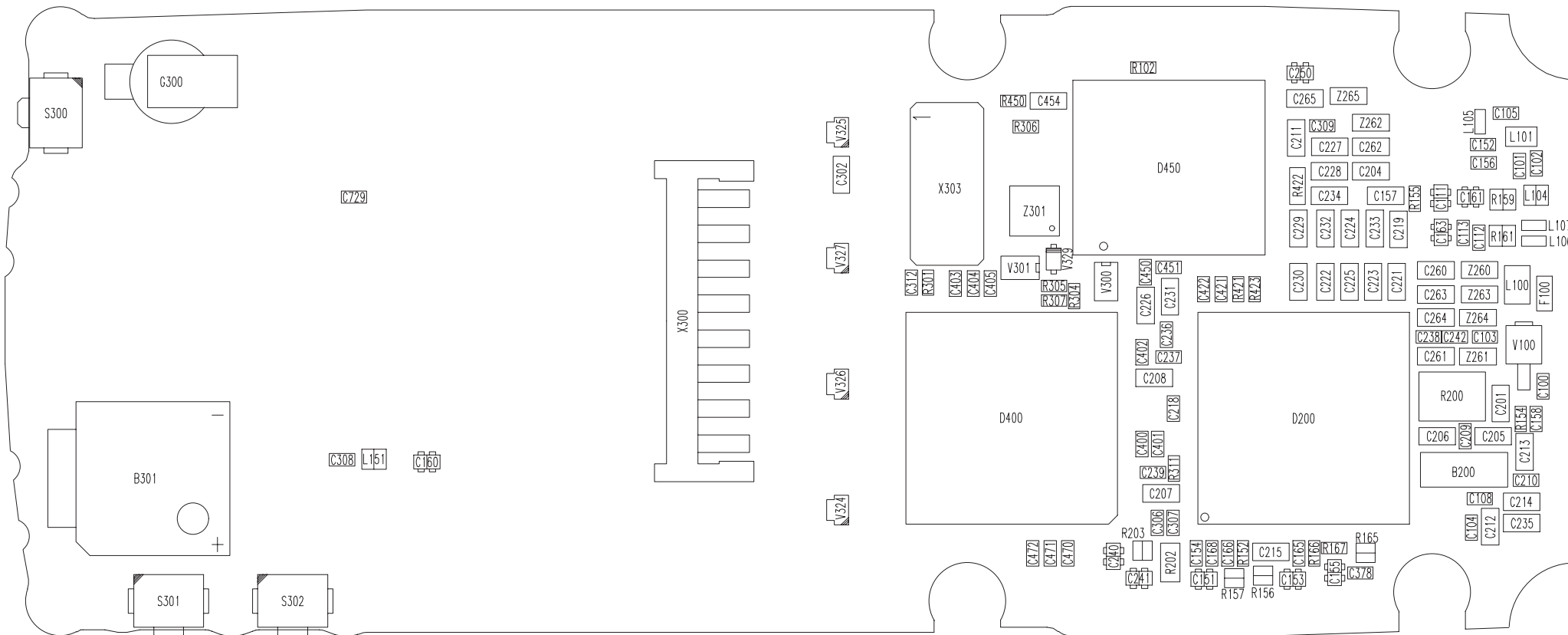
GSM RF – BB Interface (Version 1.3 Edit 35) for layout version 17



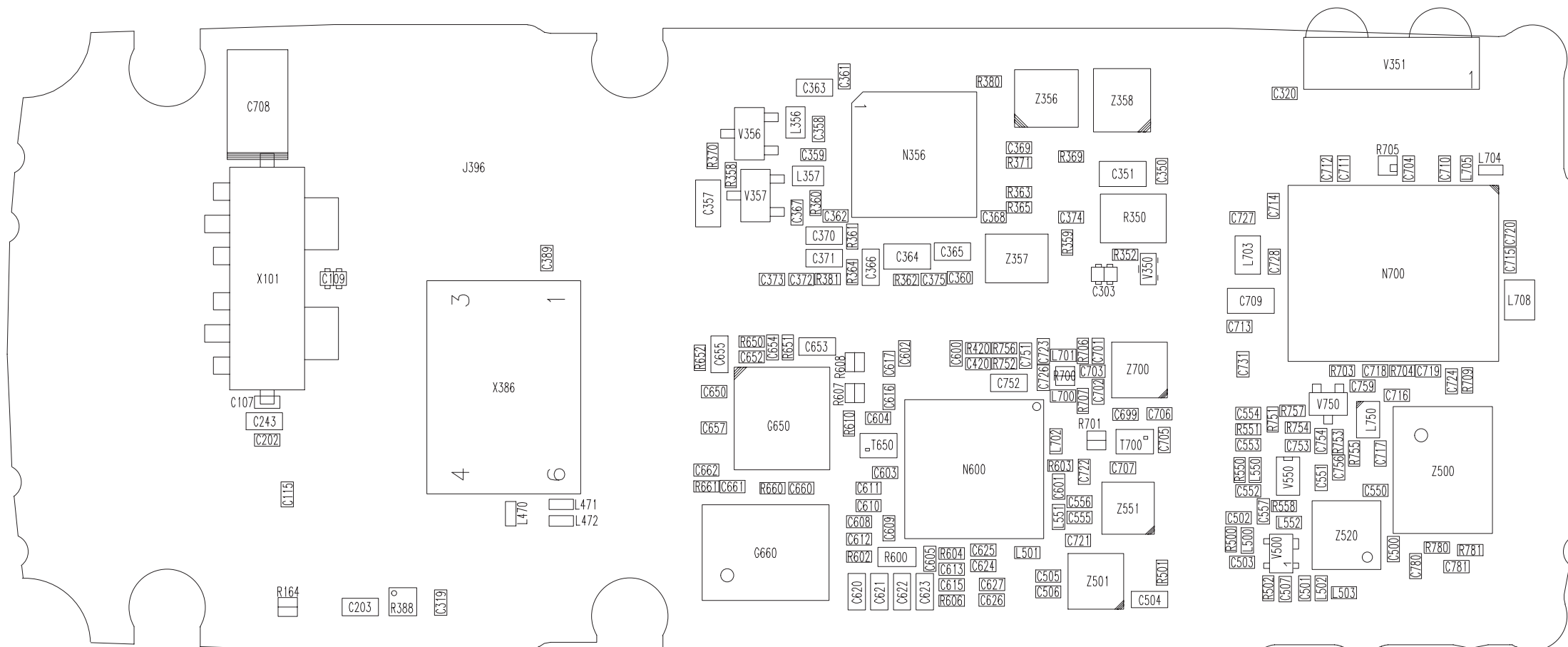
Flash Memory (Version 2.0 Edit 32) for layout version 17



Layout Diagram of LA5 – Top (Version 17)

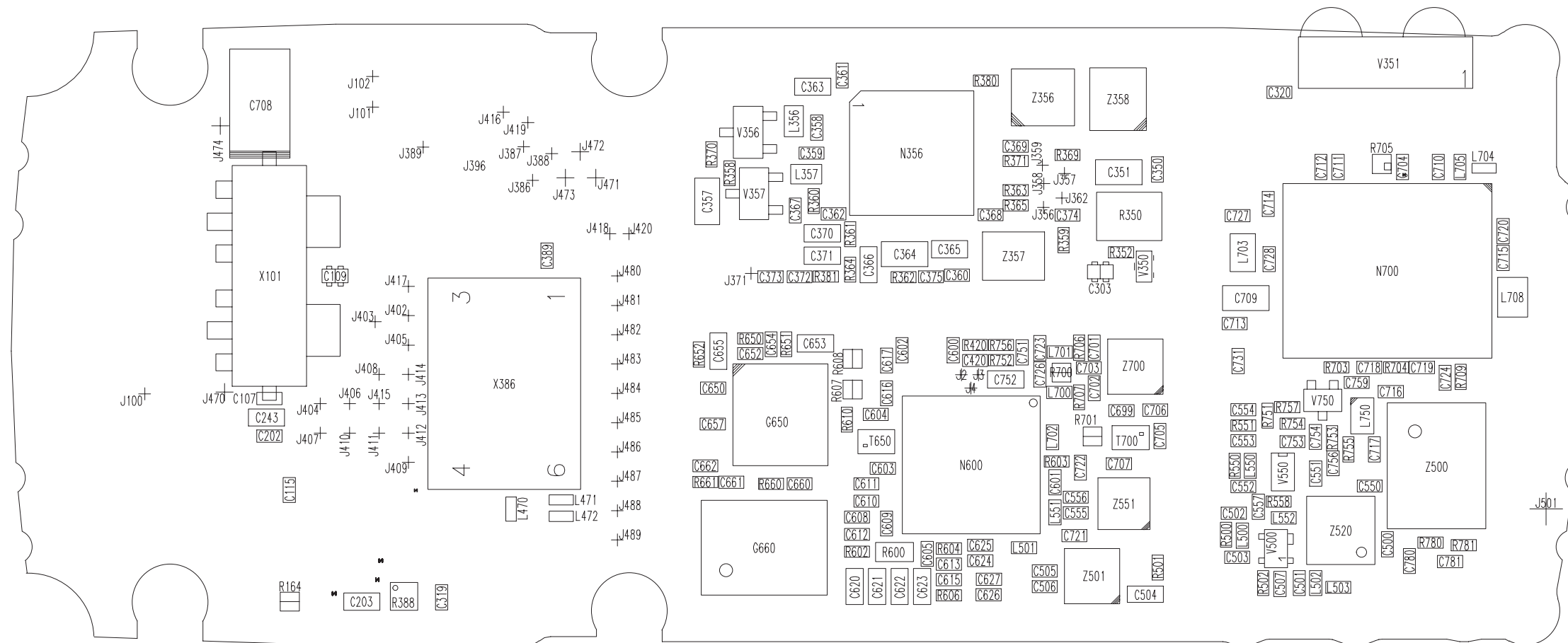


Layout Diagram of LA5 – Bottom (Version 17)

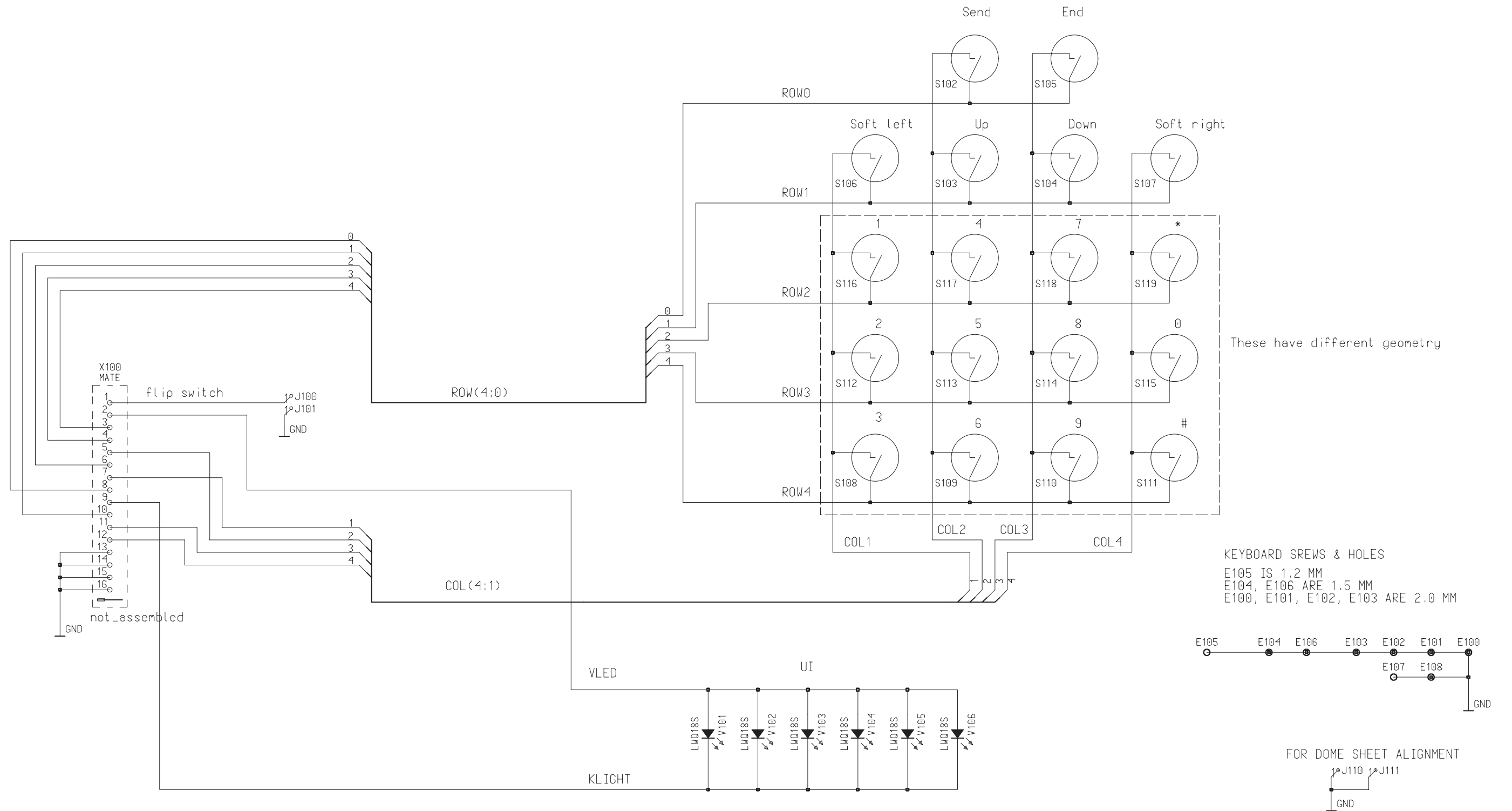


Testpoints of LA5 – Top (Version xx)

Testpoints of LA5 – Bottom (Version 17)



UI Board – LK5 for version 11



Layout Diagram – LK5 for version 11

